

MaxMotion

IEC PERFORMANCE DATA SHEET IEC Efficiency Level IE3

Catalog #: **IJA112M-6-46**

| HP | kW | Voltage | L.R. Amps | Efficiency | Power Factor | Service Factor | Frame | Design |
|------|------|-----------|-----------|------------|--------------|----------------|-------|--------|
| 3,00 | 2,24 | 230 / 460 | 33,82 | 89,5% | 0,74 | 1,15 | 112M | N |

| 60 Hz | | | | | | | | |
|-------|------|-----|------|-----|-----|-----|-------|----------|
| FLA | | | | | | | Is/In | F.L. RPM |
| 208 | 230 | 333 | 460 | 575 | 796 | 990 | | |
| / | 8,34 | / | 4,17 | / | / | / | 8,11 | 1145 |

| 50 Hz | | | | | | | | |
|-------|------|------|------|-----|-----|------------|-------|----------|
| FLA | | | | | | Efficiency | Is/In | F.L. RPM |
| 190 | 380 | 400 | 415 | 660 | 725 | | | |
| 10,07 | 5,36 | 5,09 | 4,91 | / | / | 84,3% | 8,1 | 955 |

| Wgt. Lbs | PH | Duty | Insul. Class | Ambient Temp. | Elevation | Temp. Rise° C |
|----------|----|------|--------------|---------------|-----------|---------------|
| 66 | 3 | S1 | H | 40°C | 1000 M | 38,4 |

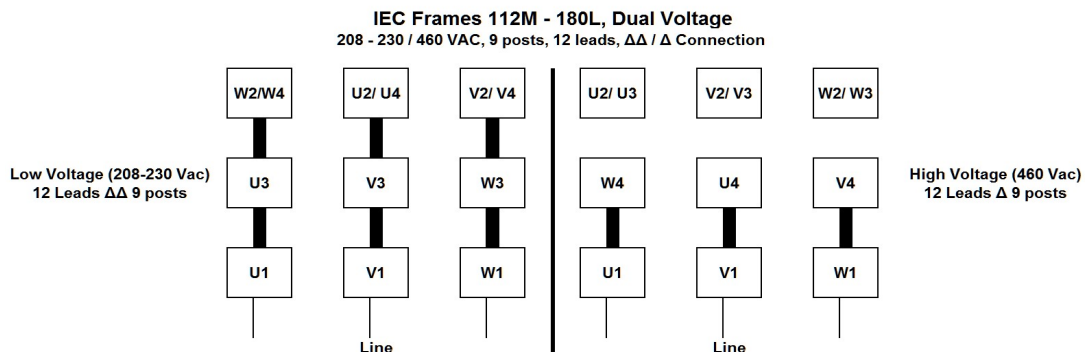
| % Efficiency | | % Power Factor | | Torque | | | Protector Type | Winding Resist. Ω |
|--------------|-------|----------------|------|------------|------|------|----------------|-------------------|
| Full Load: | 89,5% | Full Load: | 0,74 | FLT ft.lbs | 60Hz | 50Hz | | |
| 3/4 Load: | 88,6% | 3/4 Load: | 0,64 | LRT % | 215 | 215 | - | 6,67 |
| 1/2 Load: | 87,6% | 1/2 Load: | 0,51 | BDT % | 243 | 243 | | |

| Rotor Inertia Wk2 Lb-Ft2 | Max Load Inertia Wk2 Lb-Ft2 | Shaft Material | Frame Material | DE Bracket Type | ODE Bracket Type | Mounting | Enclosure | Protection |
|--------------------------|-----------------------------|----------------|----------------|-----------------|------------------|----------|-----------|------------|
| - | - | Standard | Aluminum | Standard | Standard | B3 | TEFC | IP55 |

| Ball Bearings | | Grease | Mount Type | Orientation | Cold Start (Secs) | Paint |
|---------------|-----------|-----------------|------------|-------------|-------------------|-------|
| DE | ODE | | | | | |
| 6306ZZ-C3 | 6306ZZ-C3 | Sealed Bearings | Rigid | Horizontal | 15 | Red |

| Inverter Duty. Motor meets MG1 parts 31.4.4.2 | Constant Torque Range | Variable Torque Range |
|--|-----------------------|-----------------------|
| | 10:1 | 20:1 |

WIRING CONNECTION DIAGRAM : C



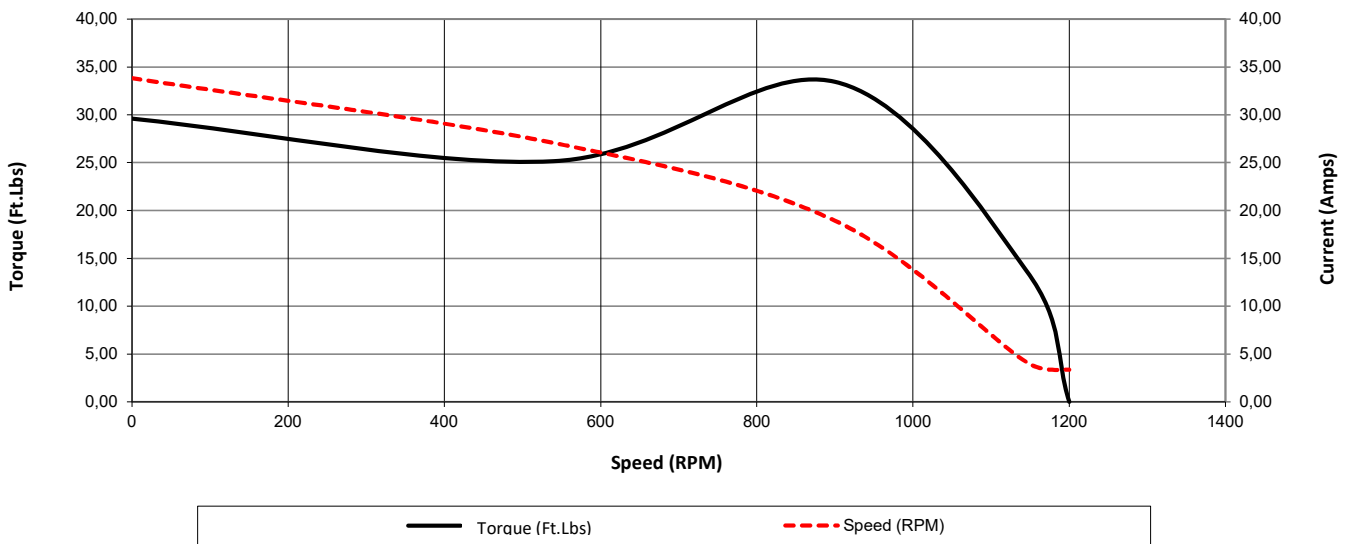


Date: 25 janvier, 2024
 Customer: _____
 Contact: _____
 Submittee: J.C. Lavallée

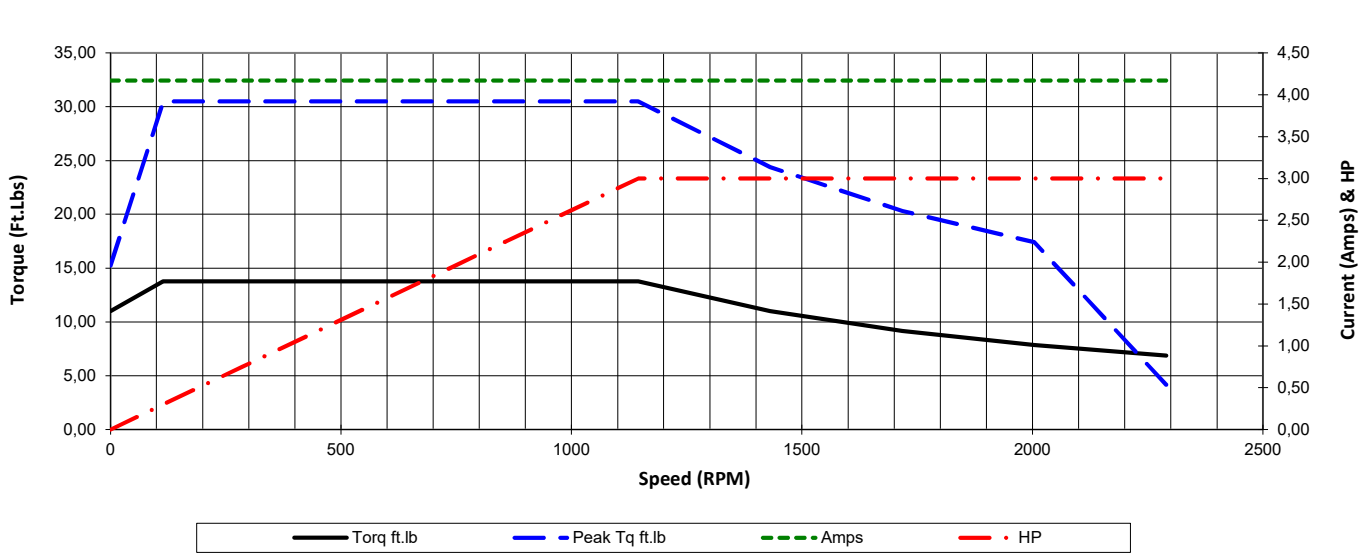
Catalogue #: IJA112M-6-46

| IEC Efficiency Level IE3 | | | | | | | | | | | |
|--------------------------|--------------|-----------|-----------|------------|-------|--------------------------------------|--------|---------|-----------|------------------|---------------|
| HP | Kw | VAC | RPM | Enclosure | Frame | Frequency | Design | Poles | LR Is/In | Insulation Class | Temp. Rise °C |
| 3,00 | 2,24 | 230 / 460 | 1145 | TEFC | 112M | 60 | N | 6 | 8,11 | H | 38,4 |
| | | 0Hz | 6Hz | 15Hz | 30Hz | 45Hz | 60Hz | 75Hz | 90Hz | 105Hz | 120Hz |
| Amps | 4,17 | 4,17 | 4,17 | 4,17 | 4,17 | 4,17 | 4,17 | 4,17 | 4,17 | 4,17 | 4,17 |
| RPM | 0 | 115 | 286 | 573 | 859 | 1145 | 1431 | 1718 | 2004 | 2290 | 2290 |
| Torq ft.lb | 11,01 | 13,76 | 13,76 | 13,76 | 13,76 | 13,76 | 13,76 | 11,01 | 9,17 | 7,86 | 6,88 |
| Peak Tq ft.lb | 15,24 | 30,48 | 30,48 | 30,48 | 30,48 | 30,48 | 30,48 | 24,38 | 20,32 | 17,42 | 4,17 |
| HP | 0,00 | 0,30 | 0,75 | 1,50 | 2,25 | 3,00 | 3,00 | 3,00 | 3,00 | 3,00 | 3,00 |
| | Locked Rotor | Pull-Up | Breakdown | Rated Load | Idle | Duty | S. F. | Ambient | Elevation | dBA @ 1M | |
| Speed (RPM) | 0 | 540 | 900 | 1145 | 1200 | S1 | 1,15 | 40°C | 3,300 ft | - | |
| Current (Amps) | 33,82 | 27,05 | 18,94 | 4,17 | 3,37 | VFD Rating: Meets MG1 parts 31.4.4.2 | | | | | |
| Torque (ft-lbs) | 29,59 | 25,15 | 33,44 | 13,76 | 0,0 | CT : | 10:1 | VT : | 20:1 | | |

Motor Speed Data



Motor Torque Capability vs RPM



Date: **25 janvier, 2024**
 Customer: _____
 Contact: _____
 Submittee: **J.C. Lavallée**

Catalogue #: **IJA112M-6-46**

| IEC Efficiency Level IE3 | | | | | | | | | | | |
|--------------------------|------|-----------|------|-----------|-------|-----------|--------|-------|----------|------------------|---------------|
| HP | Kw | VAC | RPM | Enclosure | Frame | Frequency | Design | Poles | LR Is/In | Insulation Class | Temp. Rise °C |
| 3,00 | 2,24 | 230 / 460 | 1145 | TEFC | 112M | 60 | N | 6 | 8,11 | H | 38,4 |

| Load % | 0% | 25% | 50% | 75% | 100% | 125% | 150% |
|-------------|------|------|------|-------|-------|-------|-------|
| Amps | 3,37 | 3,37 | 3,69 | 3,85 | 4,17 | 4,81 | 6,09 |
| Torq ft/lbs | 0 | 3,32 | 6,72 | 10,20 | 13,76 | 17,94 | 23,04 |
| RPM | 0 | 1186 | 1173 | 1159 | 1145 | 1098 | 1026 |
| Eff % | 0 | 65,5 | 87,6 | 88,6 | 89,5 | 87,2 | 80,1 |
| PF % | 0 | 33,8 | 51,1 | 64,4 | 74,0 | 76,2 | 77,7 |

| | Locked Rotor | Pull-Up | Breakdown | Rated Load | Idle | Duty | S. F. | Ambient | Elevation | dBA @ 1M |
|-----------------|--------------|---------|-----------|------------|------|---|-------|---------|-----------|----------|
| Speed (RPM) | 0 | 540 | 900 | 1145 | 1200 | S1 | 1,15 | 40°C | 3,300 ft | - |
| Current (Amps) | 33,82 | 27,05 | 18,94 | 4,17 | 3,37 | VFD Rating: Meets MG1 parts 31.4.4.2 | | | | |
| Torque (ft-lbs) | 29,59 | 25,15 | 33,44 | 13,76 | 0,0 | CT : | 10:1 | VT : | 20:1 | |

